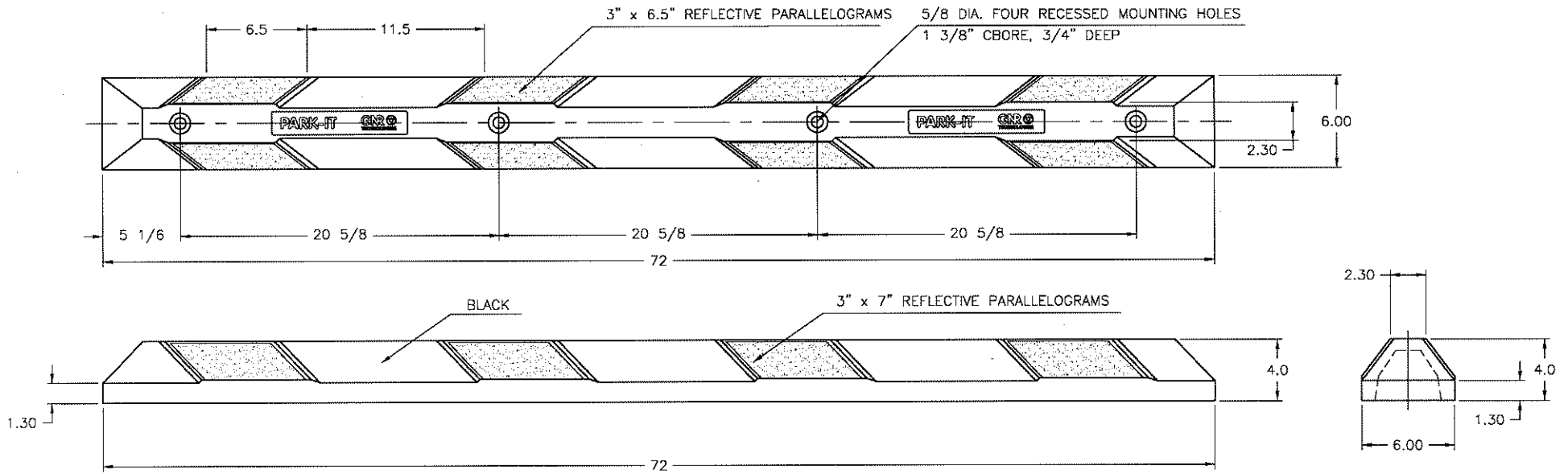
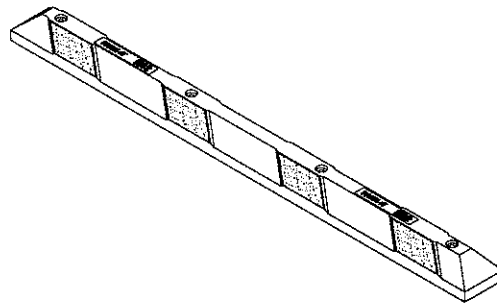
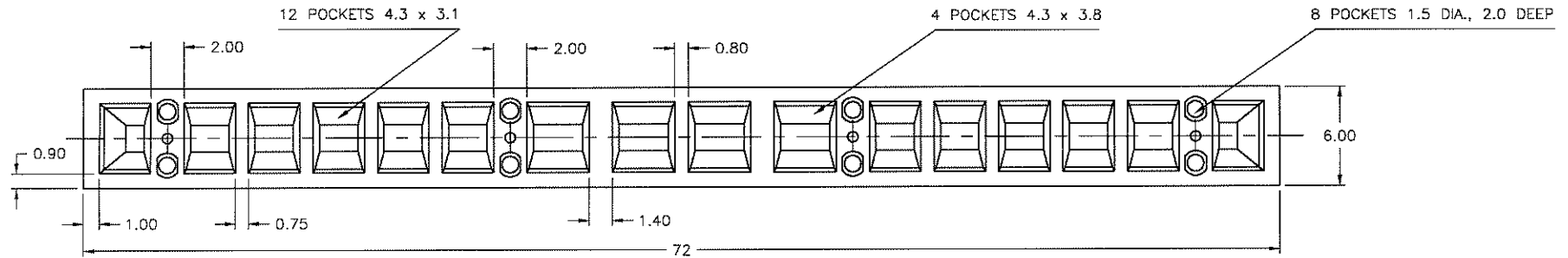


TOP VIEW



BOTTOM VIEW



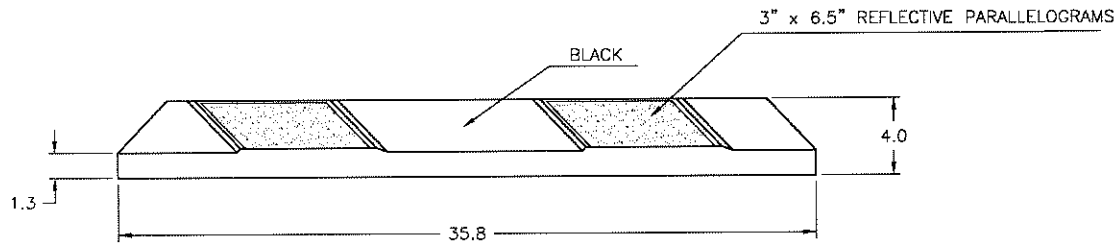
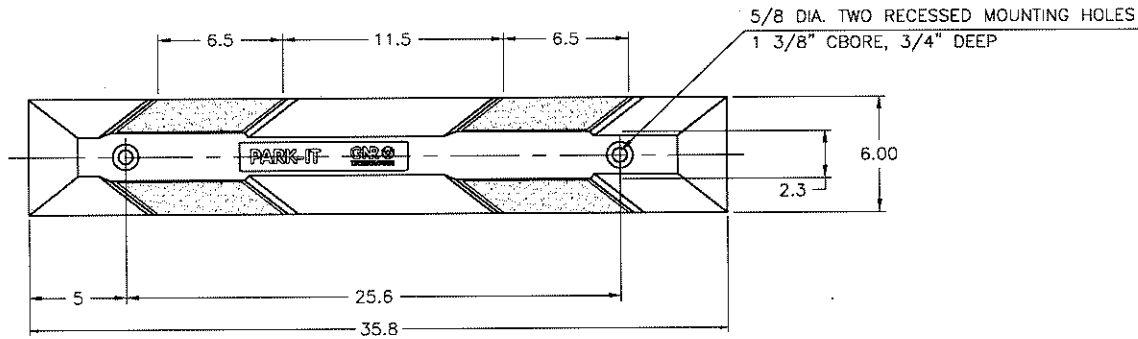
PRODUCT SPECIFICATIONS:

1. MATERIAL: COMPRESSION MOLDED RECYCLED RUBBER COMPOSITE
2. NOMINAL DIMENSIONS: 72"L x 6"W x 4"H
3. NOMINAL WEIGHT OF THE PRODUCT: 34 lbs.
4. COLOR: BLACK WITH REFLECTIVE YELLOW, BLUE OR WHITE STRIPES

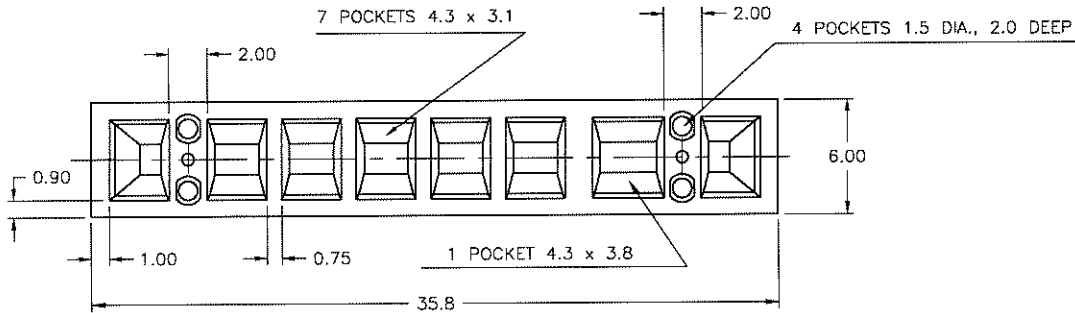
THIS DRAWING IS THE PROPERTY OF GNR TECHNOLOGIES INC.
AND MAY NOT BE DUPLICATED, PUBLISHED, DISCLOSED TO OTHERS
OR USED FOR MANUFACTURING PURPOSES WITHOUT WRITTEN PERMISSION
FROM GNR TECHNOLOGIES INC.

UNLESS OTHERWISE SPECIFIED : DIMENSIONS ARE IN INCHES		GNR TECHNOLOGIES INC.			
TOLERANCES					
DECIMALS	ANGULAR	RUBBER PARKING CURB 6 FT. MODEL			
.x ± 1/8"	±.05°				
.xx ± 1/16"		SCALE	1=5	DWG NO. 34PC02V3	SIZE
DRAWN S. JONASZ	DATE JUL. 26/99	MATERIAL		SHEET	C
CHECKED	DATE				
DESIGN S. JONASZ	DATE JUL. 26/99				

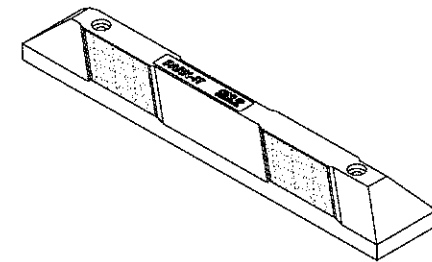
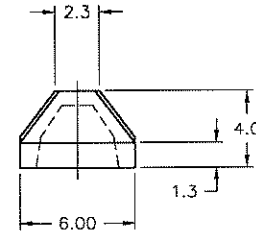
TOP VIEW



BOTTOM VIEW



REVISIONS			
REV.	DESCRIPTION	DATE	APPROVED



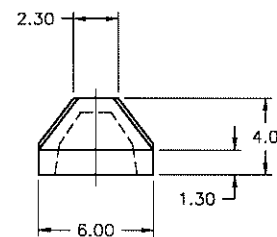
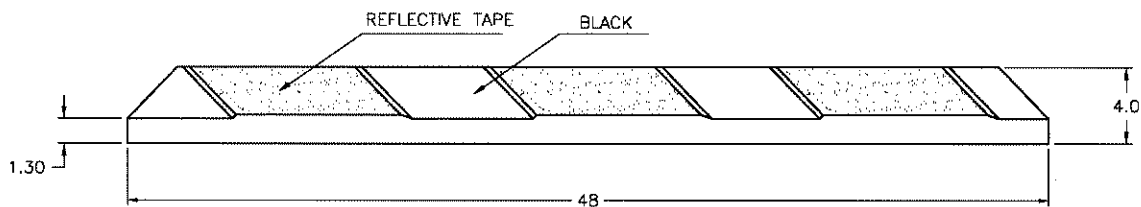
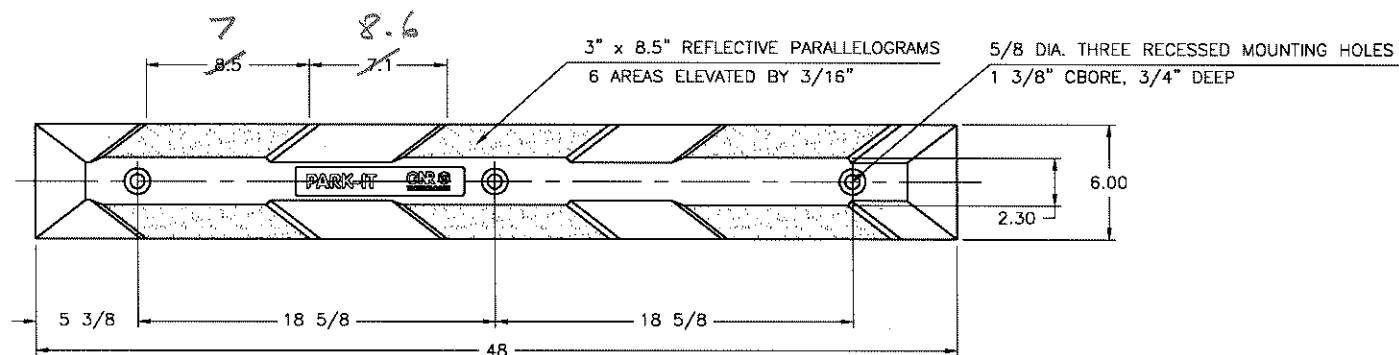
PRODUCT SPECIFICATIONS:

1. MATERIAL: COMPRESSION MOLDED RECYCLED RUBBER COMPOSITE
2. NOMINAL DIMENSIONS: 35 3/4" L x 6" W x 4" H
3. NOMINAL WEIGHT OF THE PRODUCT: 17 lbs.
4. COLOR: BLACK WITH REFLECTIVE YELLOW, BLUE OR WHITE STRIPES

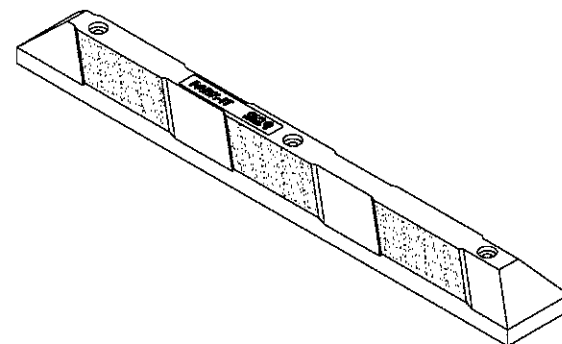
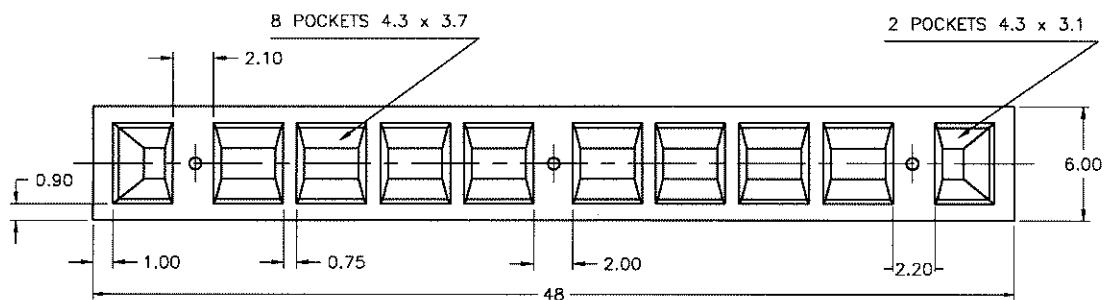
THIS DRAWING IS THE PROPERTY OF GNR TECHNOLOGIES INC. AND MAY NOT BE DUPLICATED, PUBLISHED, DISCLOSED TO OTHERS NOR USED FOR MANUFACTURING PURPOSES WITHOUT WRITTEN PERMISSION FROM GNR TECHNOLOGIES INC.

UNLESS OTHERWISE SPECIFIED : DIMENSIONS ARE IN INCHES TOLERANCES		GNR TECHNOLOGIES INC.	
DECIMALS .x ± 1/8"	ANGULAR ±.05°	RUBBER PARKING CURB 3 FT. MODEL	
.xx ± 1/16"			
DRAWN S. JONASZ	DATE JUL. 26/99	SCALE 1=5	DWG NO 17PC02V2-2
CHECKED	DATE	MATERIAL	SHEET
DESIGN S. JONASZ	DATE JUL. 26/99		SIZE C

TOP VIEW



BOTTOM VIEW

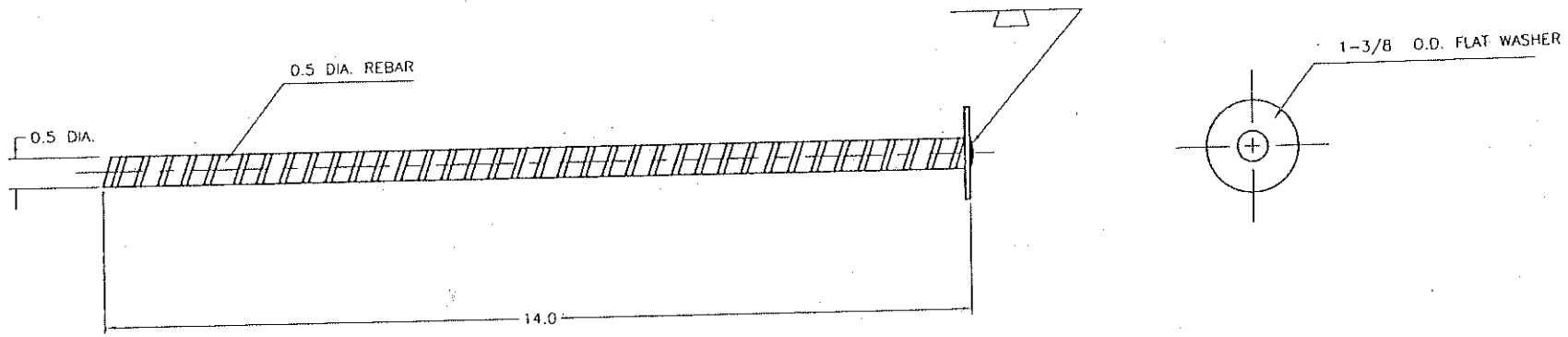


PRODUCT SPECIFICATIONS:

1. MATERIAL: COMPRESSION MOLDED RECYCLED RUBBER COMPOSITE
2. NOMINAL DIMENSIONS: 48"L x 6"W x 4"H
3. NOMINAL WEIGHT OF THE PRODUCT: 22 lbs.
4. COLOR: BLACK WITH REFLECTIVE YELLOW, BLUE OR WHITE STRIPES

THIS DRAWING IS THE PROPERTY OF GNR TECHNOLOGIES INC. AND MAY NOT BE DUPLICATED, PUBLISHED, DISCLOSED TO OTHERS NOR USED FOR MANUFACTURING PURPOSES WITHOUT WRITTEN PERMISSION FROM GNR TECHNOLOGIES INC.

UNLESS OTHERWISE SPECIFIED : DIMENSIONS ARE IN INCHES TOLERANCES		GNR TECHNOLOGIES INC.		
DECIMALS	ANGULAR			
.x ± 1/8"	±.05°	RUBBER PARKING CURB 4FT. MODEL		
.xx ± 1/16"				
DRAWN S. JONASZ	DATE JUL. 26/99	SCALE 1=5	DWG NO · 22PC02V2	SIZE C
CHECKED	DATE			
DESIGN S. JONASZ	DATE JUL. 26/99	MATERIAL	SHEET	



NOTE:

THE WEIGHT OF THE SPIKE: 0.88 LB.

THIS DRAWING IS THE PROPERTY OF GNR TECHNOLOGIES INC.
 AND MAY NOT BE DUPLICATED, PUBLISHED, DISCLOSED TO OTHERS
 NOR USED FOR MANUFACTURING PURPOSES WITHOUT WRITTEN PERMISSION
 FROM GNR TECHNOLOGIES INC.

UNLESS OTHERWISE SPECIFIED : DIMENSIONS ARE IN INCHES TOLERANCES		GNR TECHNOLOGIES INC.			
DECIMALS	ANGULAR				
.x ± 0.1	± 0.5°	0.5" DIA., L=14" REBAR SPIKE			
.xx ± 0.06	✓				
.xxx ± 0.03		DRAWN	S.JONASZ	DATE	SEP. 18/96
CHECKED		DATE		SCALE	1=10
DESIGN	S.JONASZ	DATE	SEP. 18/96	MATERIAL	STEEL
				DWG NO.	05SP01
				SHEET	
				REV.	