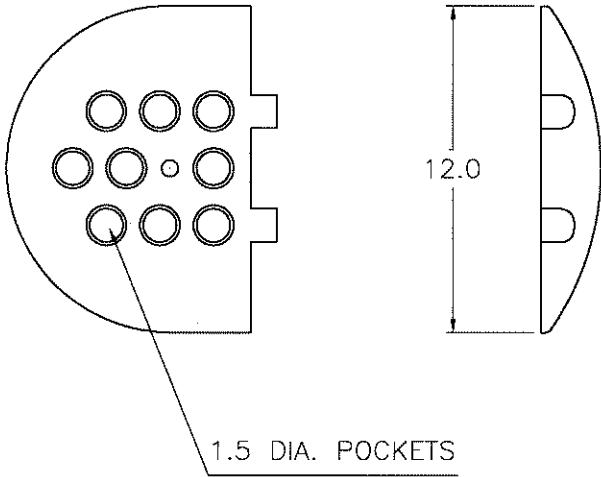
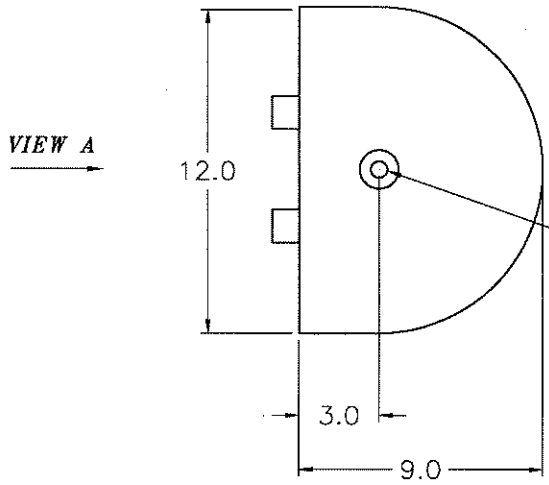


REVISIONS			
REV.	DESCRIPTION	DATE	APPROVED

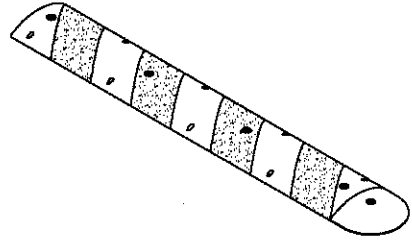
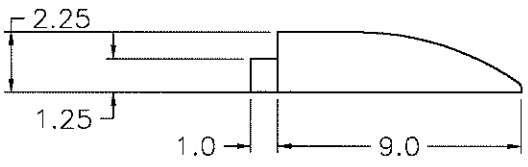
BOTTOM VIEW



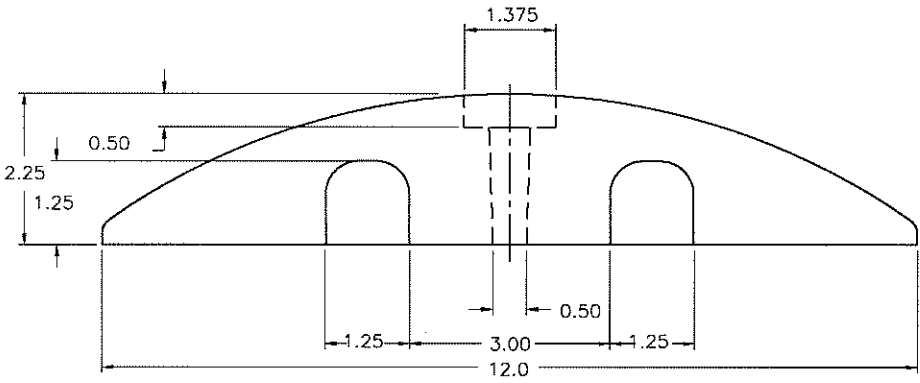
BOTTOM VIEW



VIEW A



VIEW A



PRODUCT SPECIFICATIONS:

1. MATERIAL: COMPRESSION MOLDED RECYCLED RUBBER COMPOSITE
2. DIMENSIONS: 9"L x 12"W x 2.25"H
3. ONE MOUNTING HOLE 1/2" DIA. (RECESSED 1-3/8" DIA. AND 1/2 DEEP, TO ACCOMMODATE A WASHER OR SPIKE'S HEAD) ARE PROVIDED FOR INSTALLATION WITH SPIKES OR HILTI ANCHORS
4. COLOR: BLACK
5. WEIGHT OF THE PRODUCT: 6.5 lbs.

THIS DRAWING IS THE PROPERTY OF GNR TECHNOLOGIES INC. AND MAY NOT BE DUPLICATED, PUBLISHED, DISCLOSED TO OTHERS NOR USED FOR MANUFACTURING PURPOSES WITHOUT WRITTEN PERMISSION FROM GNR TECHNOLOGIES INC.

UNLESS OTHERWISE SPECIFIED : DIMENSIONS ARE IN INCHES TOLERANCES		GNR TECHNOLOGIES INC.	
DECIMALS	ANGULAR	END CAP	
.x ± 1/8"	± .05°	FOR THE RUBBER SPEED BUMPS 2.25" THICK	
.xx ± 1/16"		SCALE 1=4	DWG NO. ECSB01-1
DRAWN S. JONASZ	DATE MAR.13/99	MATERIAL	SHEET
CHECKED	DATE		SIZE C
DESIGN S. JONASZ	DATE MAR.13/99		