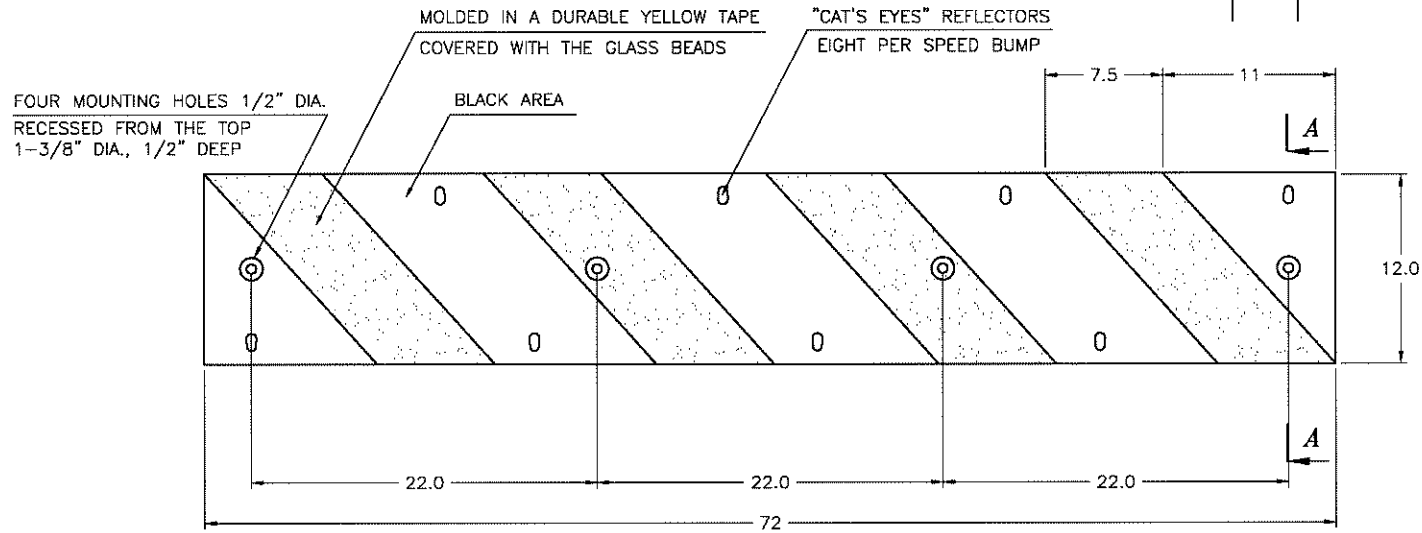
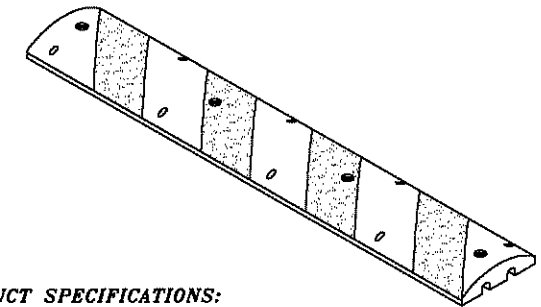
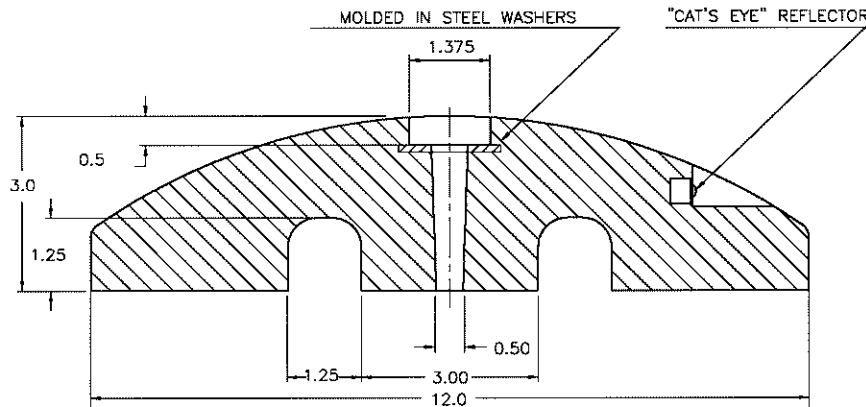


REVISIONS		
REV.	DESCRIPTION	DATE

**TOP VIEW**



**SECTION A-A**



**PRODUCT SPECIFICATIONS:**

1. MATERIAL: COMPRESSION MOLDED RECYCLED RUBBER COMPOSITE
2. NOMINAL DIMENSIONS: 72"L x 12"W x 3"H
3. FOUR MOUNTING HOLES 1/2" DIA. (RECESSED 1-3/8" DIA. AND 1/2" DEEP, TO ACCOMMODATE A SPIKE'S HEAD) ARE PROVIDED FOR INSTALLATION WITH SPIKES OR LAG BOLTS
4. FOUR DURABLE, MOLDED IN YELLOW STRIPES, COVERED WITH THE GLASS BEADS, PROVIDE GOOD VISIBILITY DURING DAY AND NIGHT
5. EIGHT "CAT'S EYES" REFLECTORS (FOUR PER SIDE) PROVIDE ADDITIONAL REFLECTIVITY AT NIGHT
6. WEIGHT OF THE PRODUCT: 76 lbs.

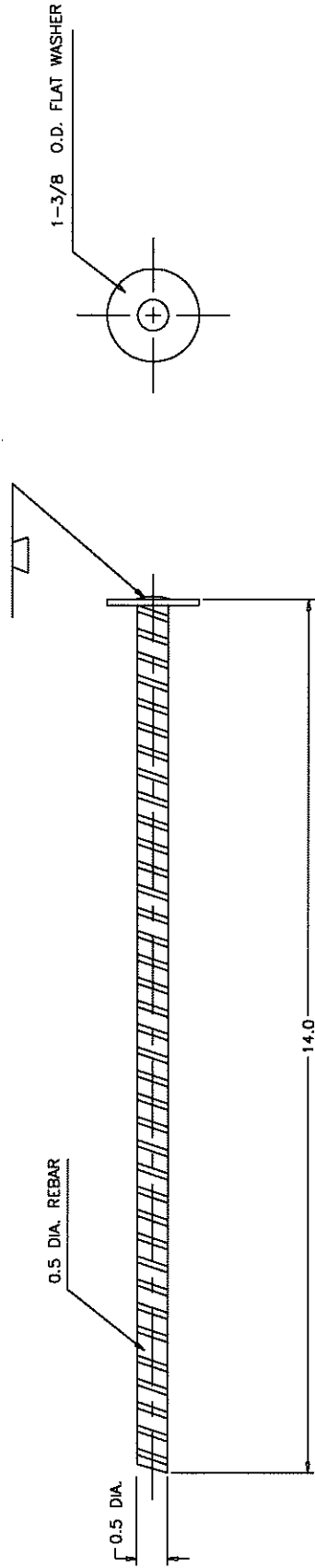
UNLESS OTHERWISE SPECIFIED :  
DIMENSIONS ARE IN INCHES  
TOLERANCES  
DECIMALS ANGULAR  
.x ± 1/8" ± .05°  
.xx ± 1/16"

**GNR TECHNOLOGIES INC.**

**RUBBER SPEED BUMP**  
**6 FT. MODEL, 3" THICK**

DRAWN S. JONASZ	DATE SEP. 17/05	SCALE 1=6	DWG NO. 6SB10	SIZE C
CHECKED	DATE	MATERIAL	SHEET	
DESIGN S. JONASZ	DATE SEP. 17/05			

THIS DRAWING IS THE PROPERTY OF GNR TECHNOLOGIES INC.  
AND MAY NOT BE DUPLICATED, PUBLISHED, DISCLOSED TO OTHERS,  
OR USED FOR MANUFACTURING PURPOSES WITHOUT WRITTEN PERMISSION  
FROM GNR TECHNOLOGIES INC.



**NOTE:**

THE WEIGHT OF THE SPIKE: 0.88 LB.

UNLESS OTHERWISE SPECIFIED : DIMENSIONS ARE IN INCHES		GNR TECHNOLOGIES INC.	
DECIMALS	TOLERANCES	0.5" DIA., L=14" REBAR SPIKE	
x ± 0.1	ANGULAR ± 0.5°	SCALE	1=10
.xx ± 0.06	✓	MATERIAL	STEEL
.xxx ± 0.03		DWG NO.	05SP01
DRAWN	S.JONASZ	DATE	SEP. 18/96
CHECKED		DATE	
DESIGN	S.JONASZ	DATE	SEP. 18/96
		SHEET	

THIS DRAWING IS THE PROPERTY OF GNR TECHNOLOGIES INC. AND MAY NOT BE DUPLICATED, PUBLISHED, DISCLOSED TO OTHERS NOR USED FOR MANUFACTURING PURPOSES WITHOUT WRITTEN PERMISSION FROM GNR TECHNOLOGIES INC.